

- Low-loss RF SAW filter
- Ceramic package for Surface Mounted Technology (SMT)
- Lead-free production and RoHS compliant

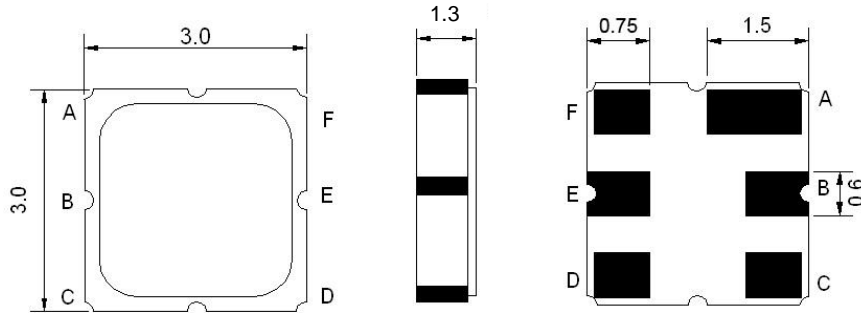


## Electrical Characteristics

MAXIMUM RATING				
PARAMETERS DESCRIPTION	UNIT	MINIMUM	TYPICAL	MAXIMUM
Operating Temperature Range	°C	-40	-	+85
Storage Temperature Range	°C	-40	-	+85
Maximum DC Voltage	V <sub>DC</sub>	-	-	0
Maximum Input Power Level	dBm	-	-	5
Source Impedance	Ω	-	50	-
Load Impedance	Ω	-	50	-
Length x Width	mm <sup>2</sup>	-	3.0 x 3.0	-
Height	mm	-	-	1.3

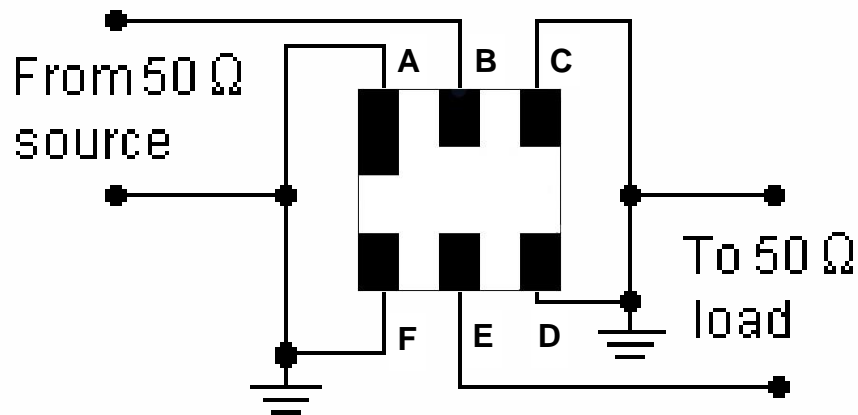
ELECTRICAL SPECIFICATION				
PARAMETERS DESCRIPTION	UNIT	MINIMUM	TYPICAL	MAXIMUM
Center Frequency (Fo)	MHz	-	1950	-
Insertion Loss @ 1925.00 ~ 1975.00MHz	dB		2.5	3.5
Amplitude Ripple (p-p) @ 1925.00 ~ 1975.00MHz	dB		1.0	1.5
<b>Absolute Attenuation:</b>				
50.00 ~ 1825.00 MHz	dB	20	25	
1825.00 ~ 1885.00 MHz	dB	30	35	
2035.00 ~ 2085.00 MHz	dB	28	35	
2085.00 ~ 3700.00 MHz	dB	20	25	

## Package Dimensions



Pin Description	
B	Input
E	Output
A, C, D, F	Case Ground

## Testing Environment



## Frequency Characteristics

**Frequency Response**

